



Features

- 1 Fixed Zone
- Supports up to 32 detectors
- Unlimited call points
- 1 "fire" and 1 "fault" relay outputs
- 1 monitored sounder outputs
- Active EOL allowing continuous monitoring of inputs
- Walk test
- LED indication
- Levels of access protected by means of security key
- Plastic box

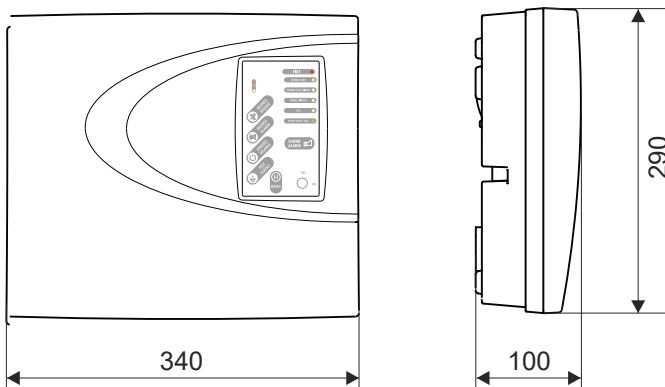
Description

The Eagle 1 conventional fire alarm panel provides 1 fixed zone. With up to 32 fire detectors and unlimited call points. The Eagle 1 is situated in a plastic box. The panel is easy for installation and maintenance and provides user-friendly daily operations. The panel is suitable for residential, small and middle office applications with protected area up to 1000m². The panel is available in different language versions for the front panel.

Packing Details

Single packing box	1 unit of Eagle 1 Fire alarm panel, dimensions 342x295x103mm
Carton packing box	5 units of Eagle 1 Fire alarm panel, dimensions 560x362x320mm

Dimension Details



Technical & Environmental Specification

Main Power Supply	~230 ± 10%
Frequency	50/60Hz
Back-up Power Supply	1 battery, 12V/7Ah
Power availability	0.7A
Main Power supply fail consumption	50mA
Outputs (Sounder circuits on the control PCB module)	1; 24V / 0.3A Fuse
Output, FAULT Relay	1;3A@120VAC; 3A@60VDC
Output, Fire Relay	1;3A@120VAC; 3A@60VDC
Auxiliary output	24VDC/0.3A fuse
Fixed Zone	1
Detectors per zone/max. number of detectors	32/32
Multi language front panels	YES
Operating temperature	0°C to +40°C
Relative humidity resistance	(93 ± 3)% @40°C
Weight (without battery)	~2.1kg

Connection Diagram

